



# TITAN DOOR SYSTEMS

---

Opening Doorways for Australia



SOVEREIGN  
DOORS

# SOVEREIGN DOORS

Innovative- Enticing - Strong

---

The Sovereign Commercial is unique in its vertical opening to bring intrigue and a distinct identity to your space. It harnesses the most of your entry way, leaving no floor tracks to worry about, it creates a safer environment and more efficient use of valuable space. From a commercial point of view, space usage is maximally effective in accounting for every inch and bringing value to your space. With functionality and style, the Sovereign Commercial continuously markets your product range to the passing trade.

## Standard Specifications

Opening sizes:

Up to 4.0m high x 5.0m wide

## Operation

Depending on the size either manual or electrically operated.

## Applications

Suitable for many commercial applications including: Shopping Centres, Bar Tops, Shopfronts, Bottle Shops, Arcades, Counter Tops, Doorways, Sports Complexes, Clubs.



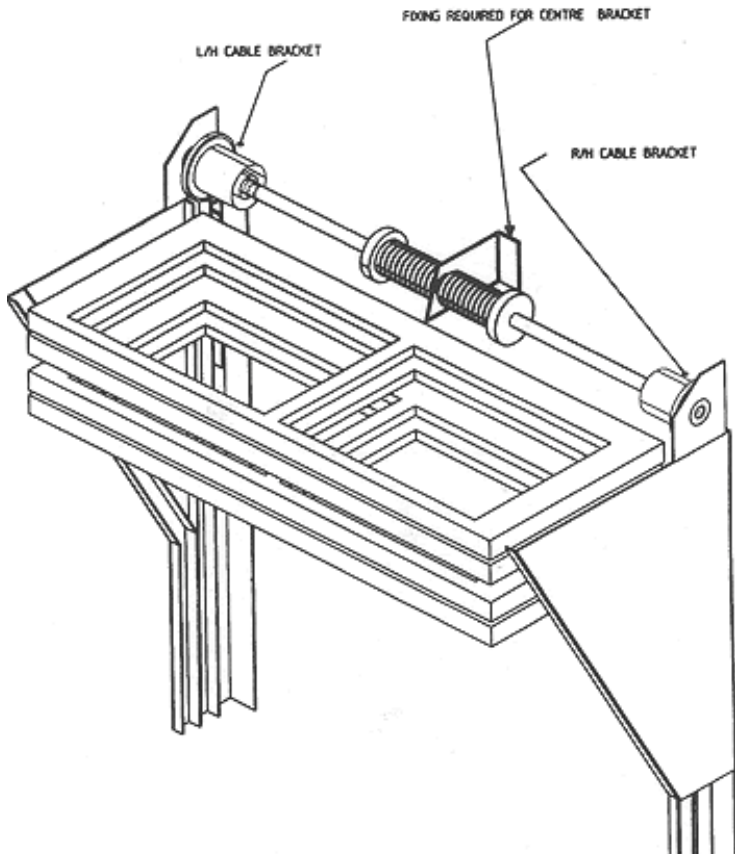
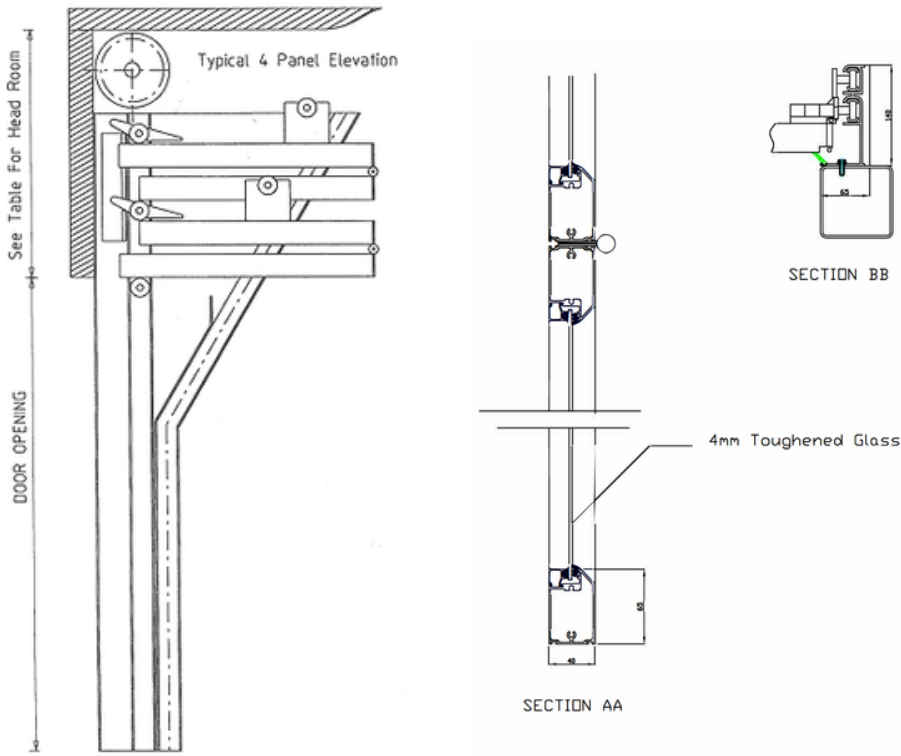


## Specifications

- **Curtain** – The top and side rails come in at 65 x 40mm while the mid rails reach 32 x 40mm. Standard glazing is appropriate, while framing encompasses either 3 or 4.5 mm Acrylic Polycarbonate.
- Other options for curtains include Solid panels or 3mm Toughened Glass, while sanoprene, PVC wedging or glazing bead can solidify panels. They can reach a maximum of 600mm, which will be dictated by the opening height.
- **Side Guide** – 3mm twin tracks service an extruded aluminium section of 140 x 60mm
- **Locking** – Central mounting secures the system, with motorisation an option. A two-way mortice key lock is another alternative.
- **Brackets** – A mono section set-up is used for both the tracks and the brackets.
- **Counterbalance** – With unique counterbalancing technology, torsion springs connect to the rotating shaft for optimal balance. Cable drums operate the curtain, with a flexible cable maximising usage.
- Both powdercoated and anodised finishing is available.

## Features

- There are numerous combinations of features that make the Sovereign Door so unique and valuable to any residential or commercial enterprise. With a broad range of visibility, the door is a marketing opportunity that cannot be passed up.
- Additionally, with this visibility comes security, offering peace of mind when working the day-to-day operations of the enterprise.
- With its unique retractable features, the Sovereign Commercial is the perfect blend of style and functionality.





# Sovereign Doors (Technical Data)

## Contact Us

 PO Box 828, Moonee Ponds 3039

 [info@TITANDoorsystems.com.au](mailto:info@TITANDoorsystems.com.au)

 Phone: (03) 9034 6047

Visit our website for full range  
 [www.titanddoorsystems.com.au](http://www.titanddoorsystems.com.au)